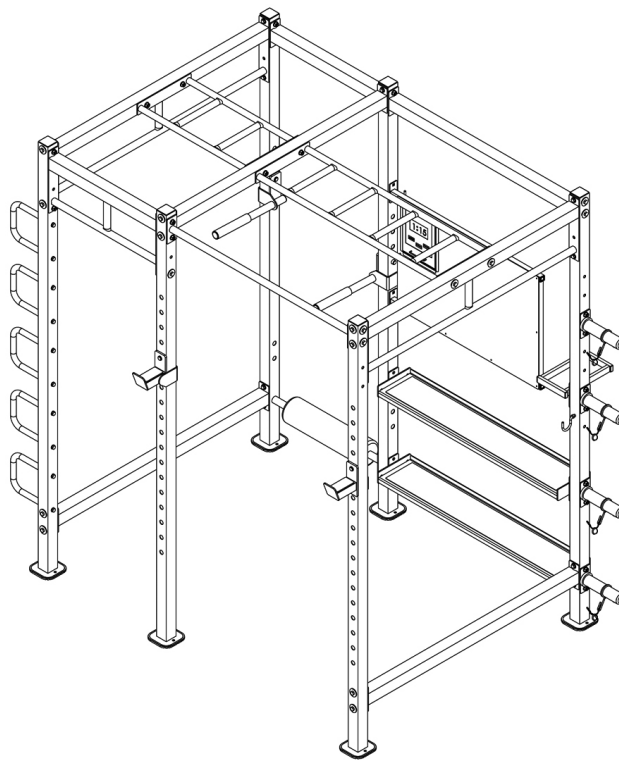


STEELBODY

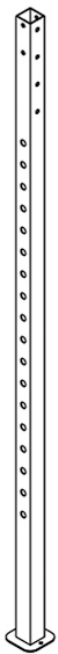
T-RACK STB-98001



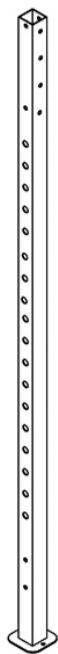
IMPORTANT: Please read the Important Safety Notice and Assembly Information in the Owner's manual before assembling this product.

Assembly Manual

130730



① × 1



② × 1



③ × 1



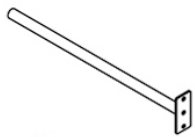
④ × 1



⑤ × 1



⑥ × 1



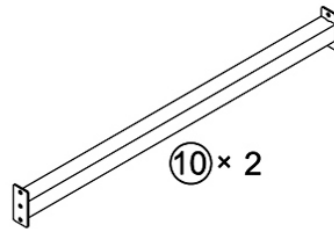
⑦ × 1



⑧ × 4



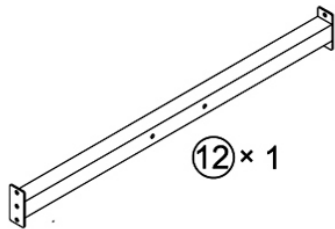
⑨ × 5



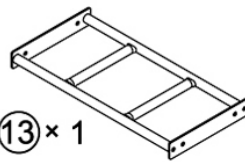
⑩ × 2



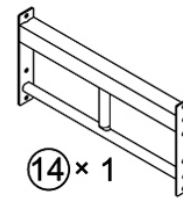
⑪ × 1



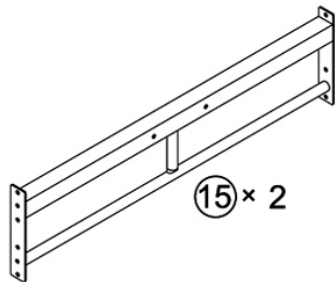
⑫ × 1



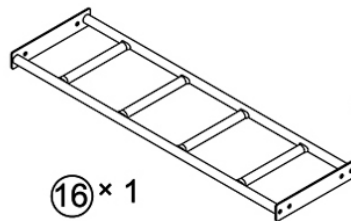
⑬ × 1



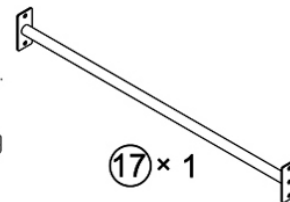
⑭ × 1



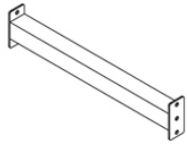
⑮ × 2



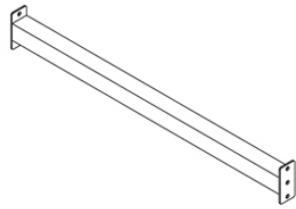
⑯ × 1



⑰ × 1



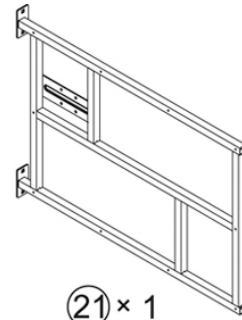
18 × 1



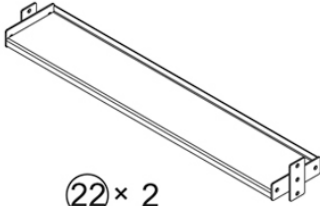
19 × 1



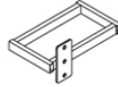
20 × 1



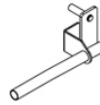
21 × 1



22 × 2



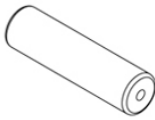
23 × 1



24 × 1



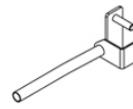
26 × 1



28 × 1



31 × 1



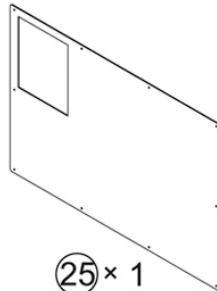
32 × 1



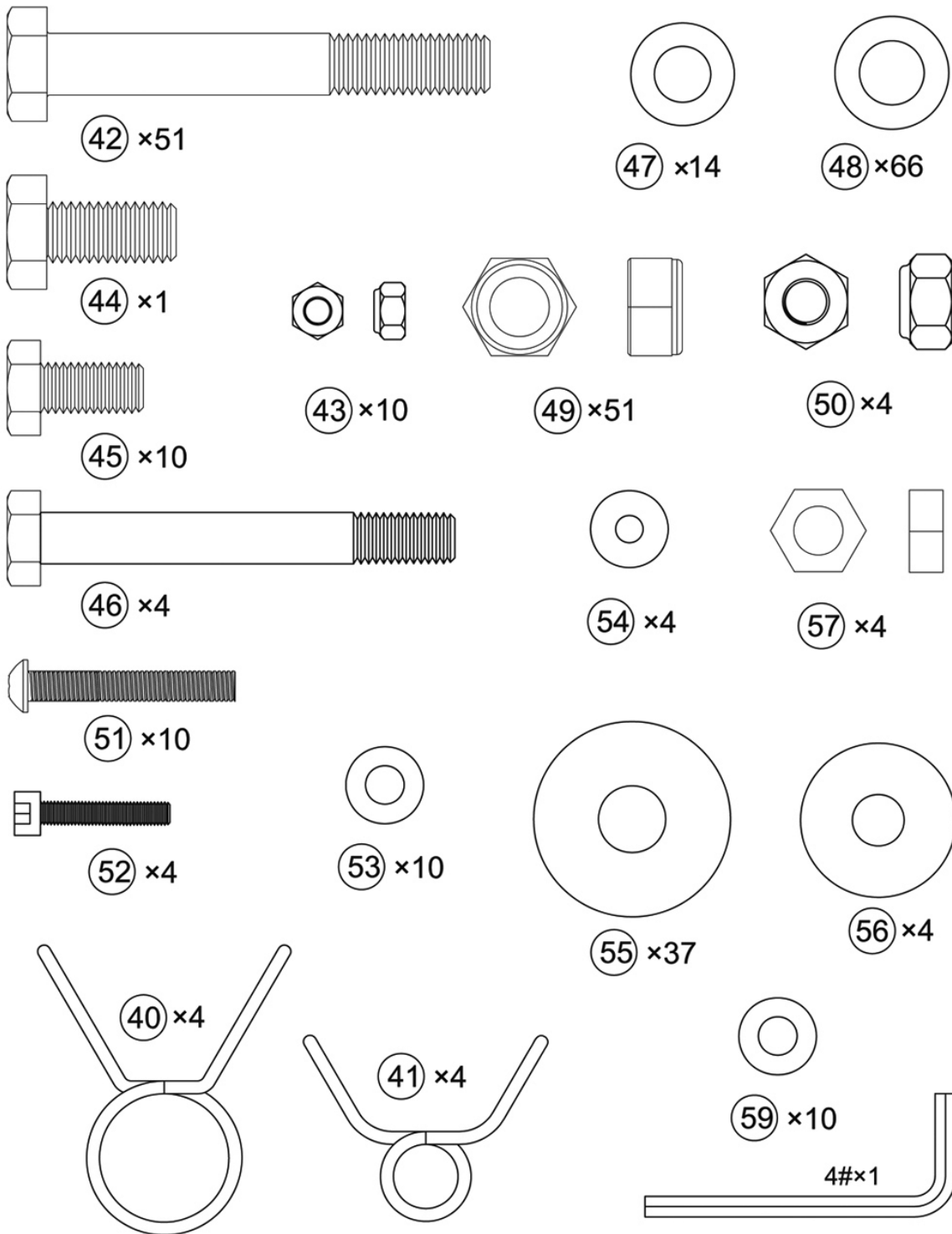
34 × 4



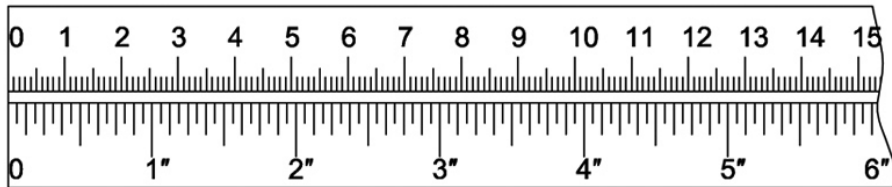
58 × 4

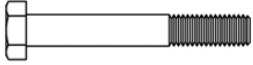





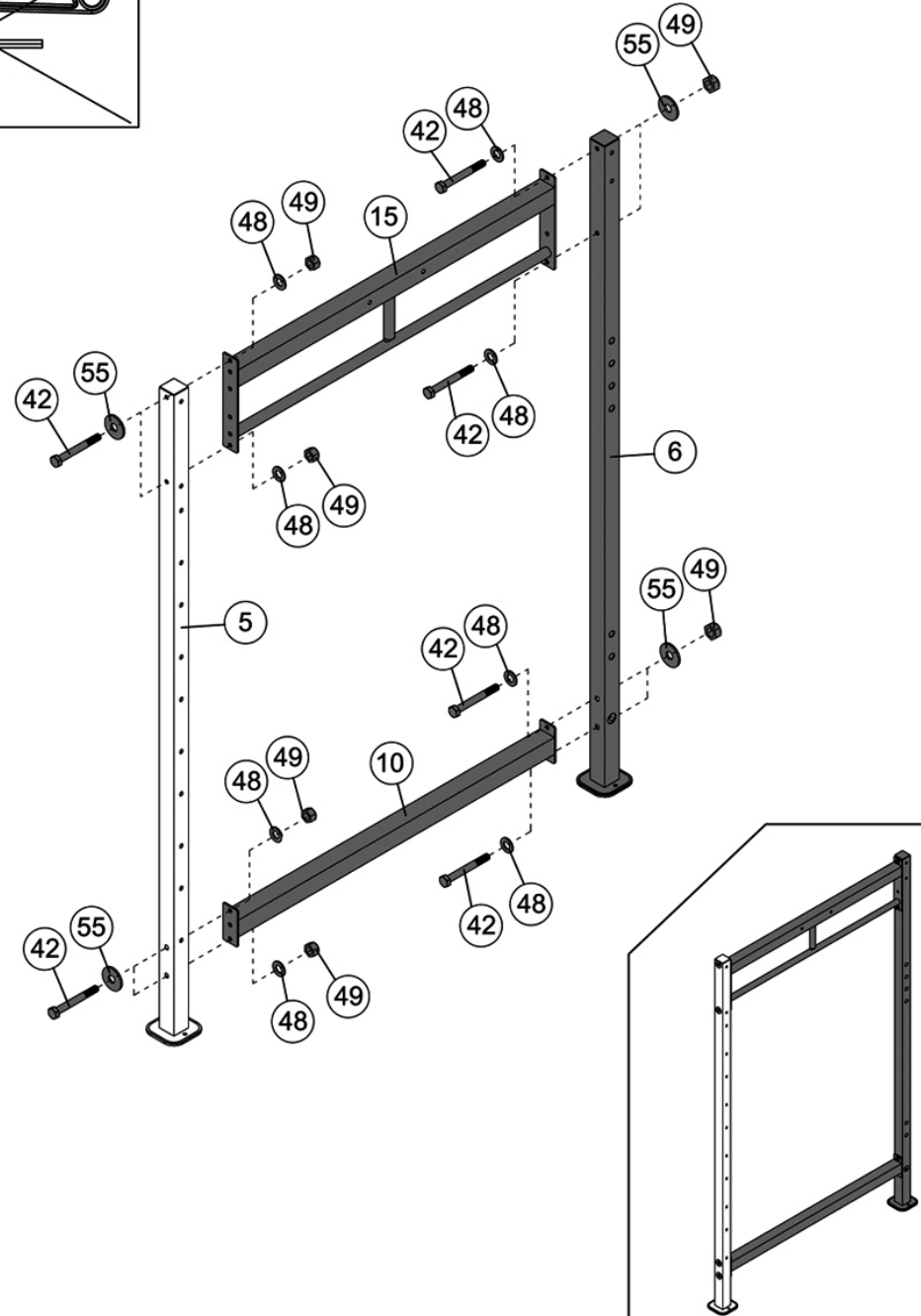
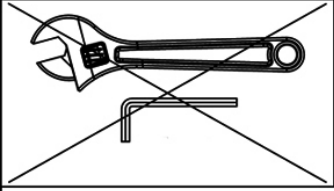
25 × 1



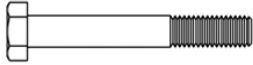

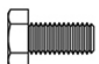


mm

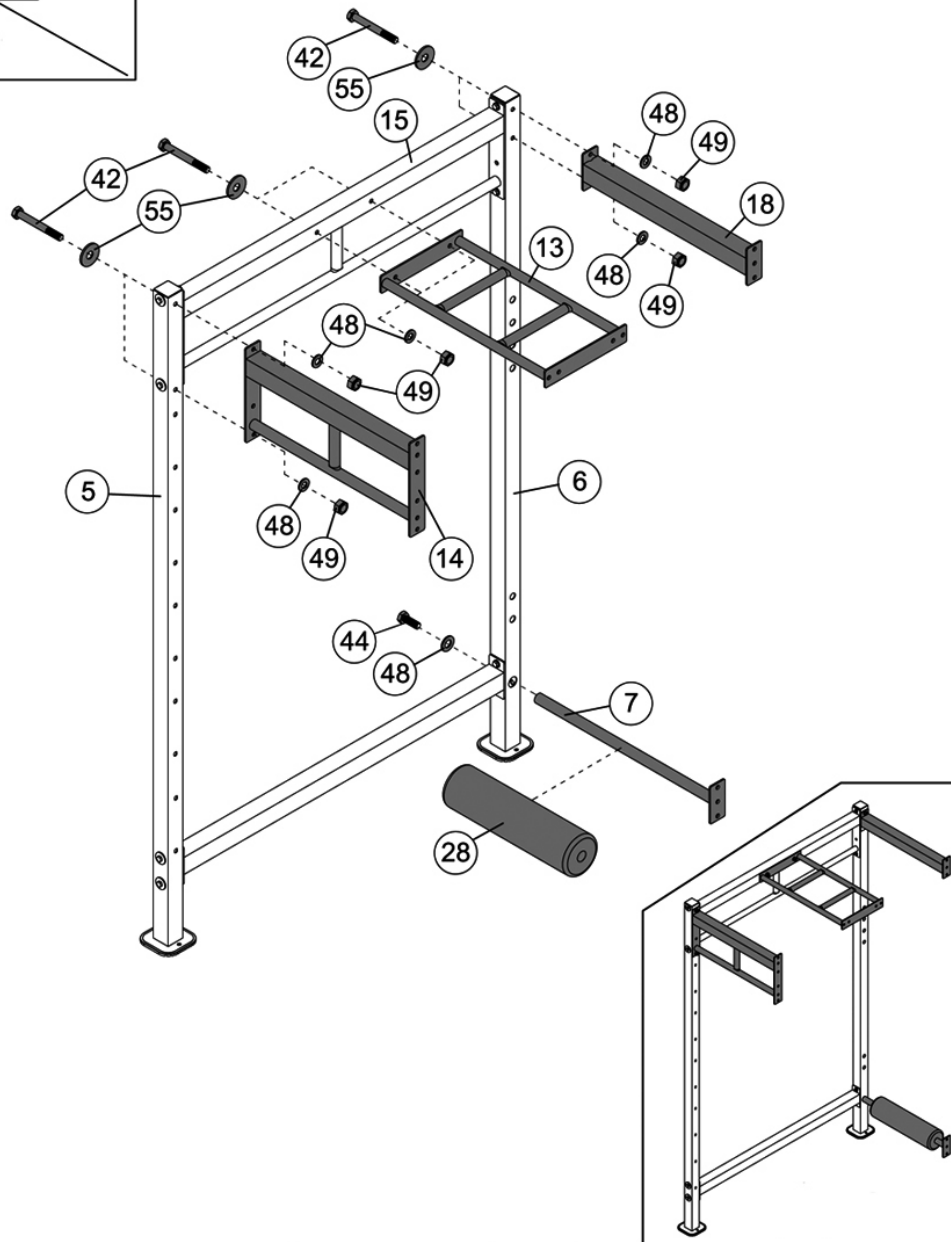
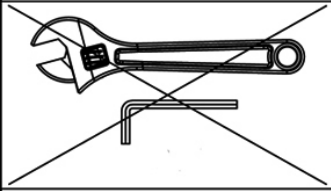


42		x8	M12x 3 3/8"	49		x8	M12
48		x8	Φ1"	55		x8	Φ1 1/2"

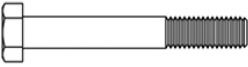


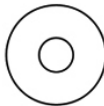


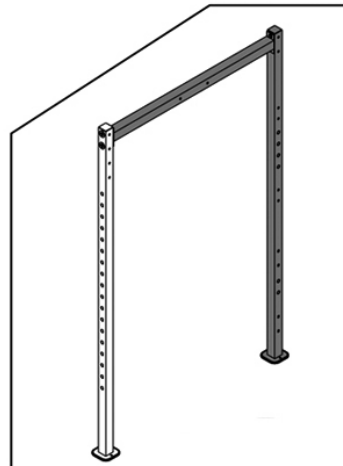
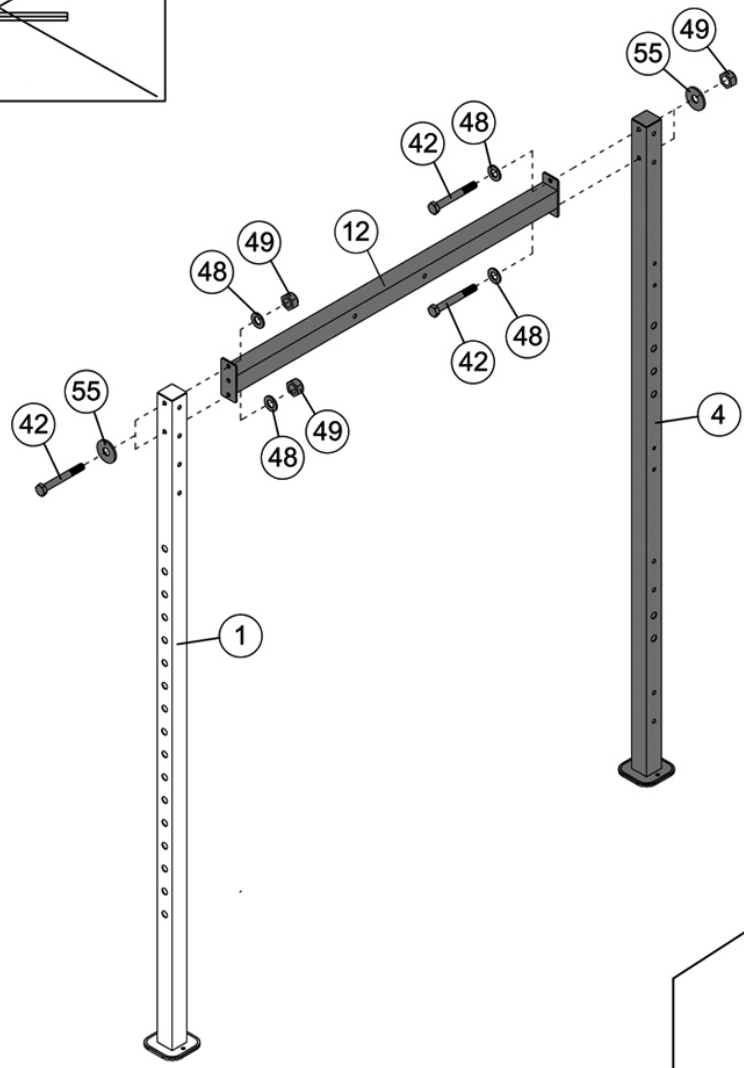
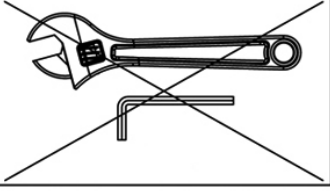
1

- | | | | | | | | |
|----|---|----|-------------|----|---|----|---------|
| ④② |  | x6 | M12x 3 3/8" | ④⑨ |  | x6 | M12 |
| ④④ |  | x1 | M12x 1" | ⑤⑤ |  | x6 | Φ1 1/2" |
| ④⑧ |  | x7 | Φ1" | | | | |

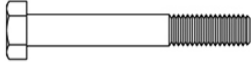





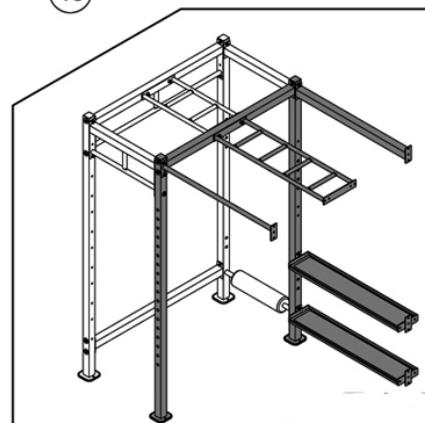
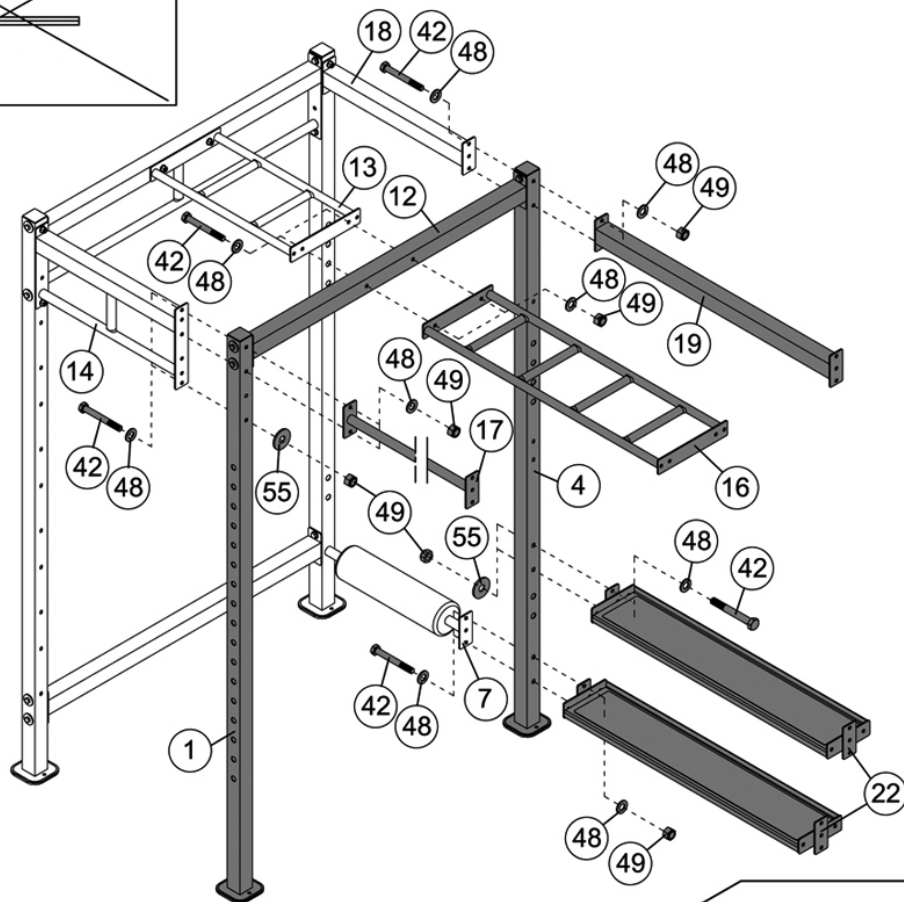
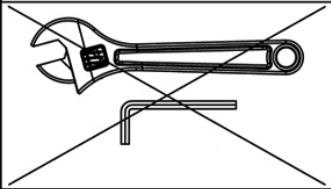
2

- | | | | | | | | |
|----|---|----|-------------|----|---|----|---------|
| ④② |  | x4 | M12x 3 3/8" | ④⑨ |  | x4 | M12 |
| ④⑧ |  | x4 | Φ1" | ⑤⑤ |  | x4 | Φ1 1/2" |

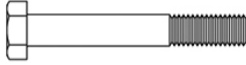





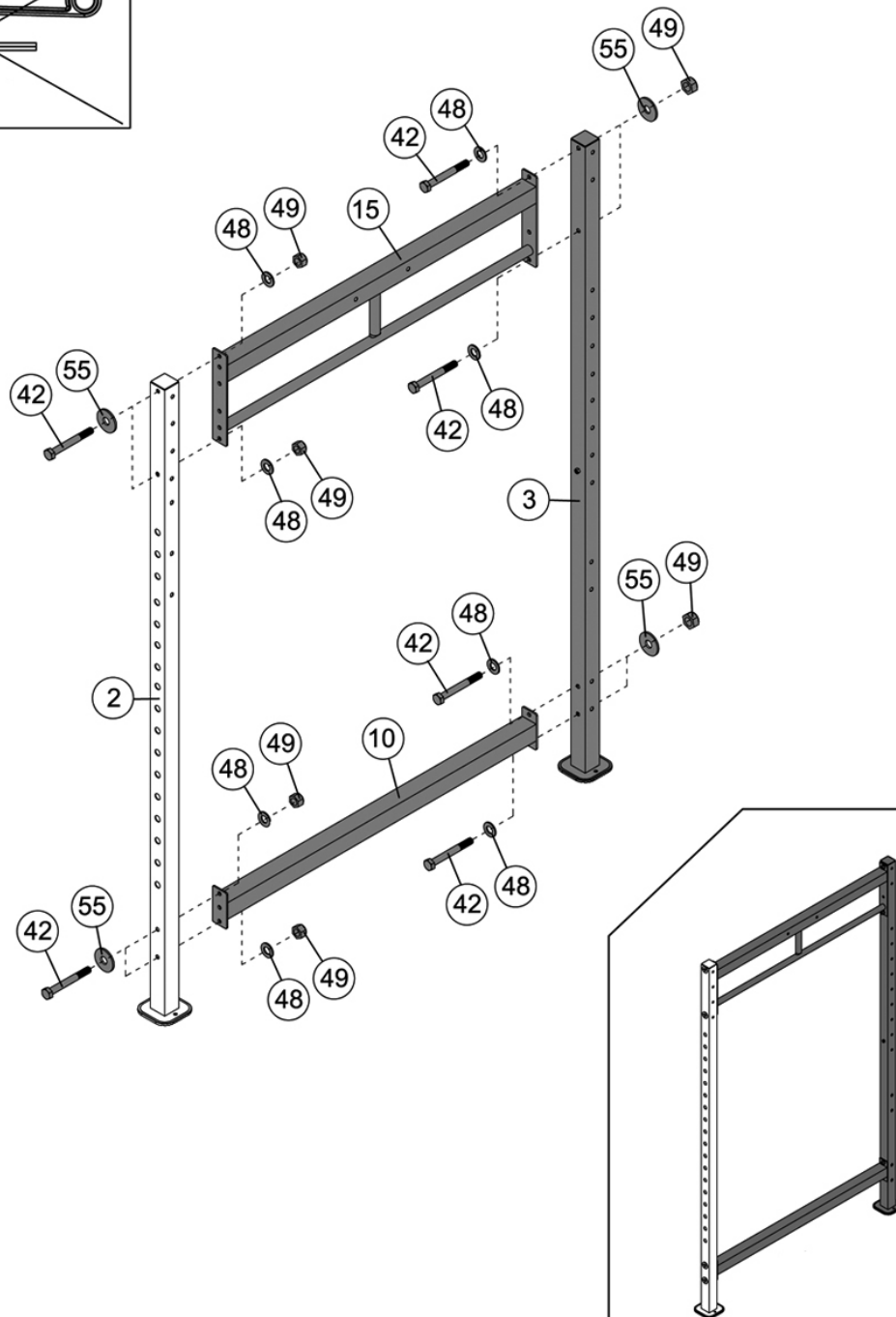
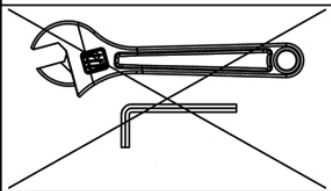
3

- | | | | | | | | |
|----|---|-----|-------------|----|---|-----|---------|
| ④② |  | x11 | M12x 3 3/8" | ④⑨ |  | x11 | M12 |
| ④⑧ |  | x19 | Φ1" | ⑤⑤ |  | x3 | Φ1 1/2" |

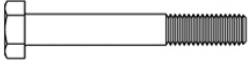


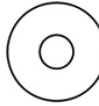


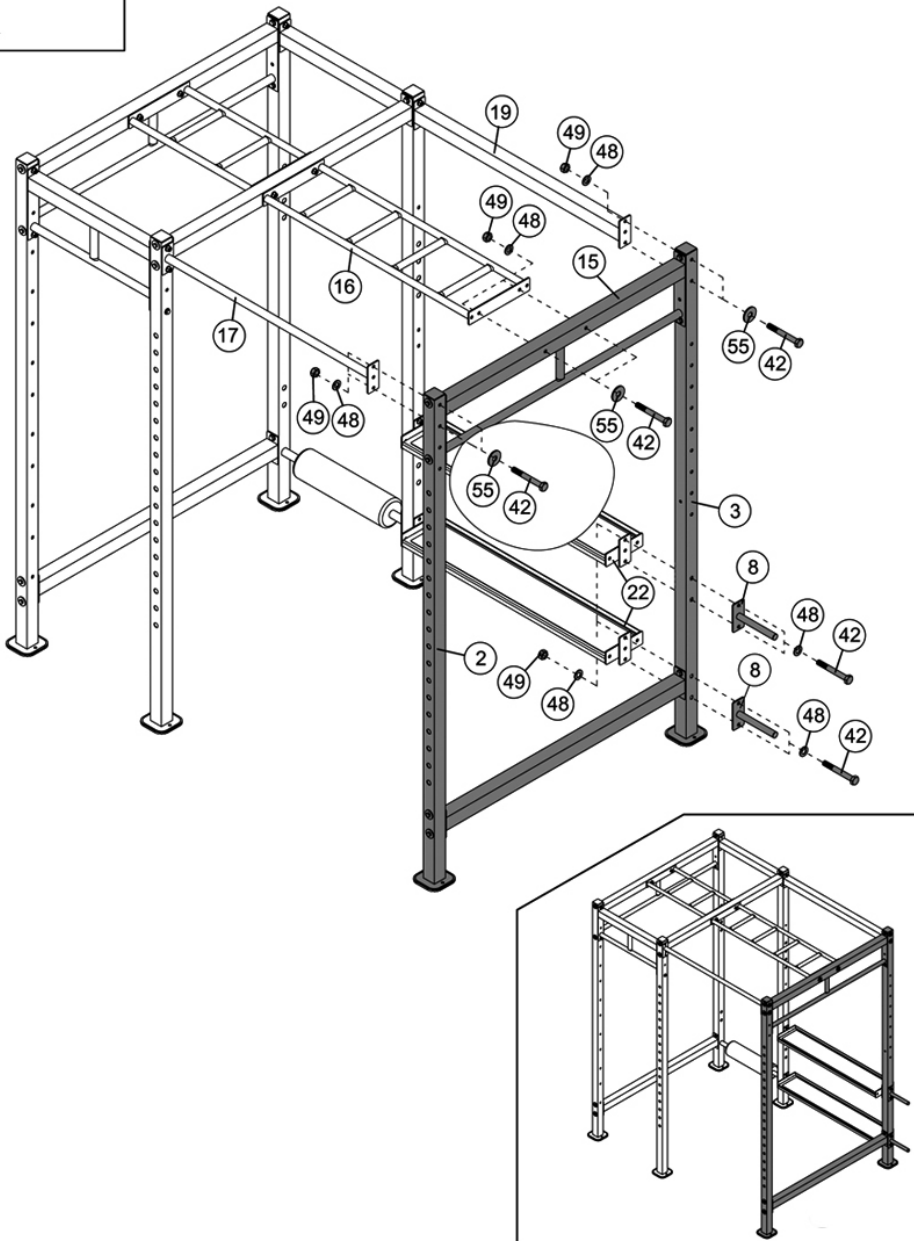
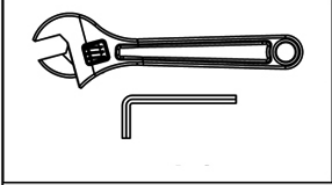
4

- | | | | | | | | |
|----|---|----|--------------------------------------|----|---|----|----------------------------------|
| 42 |  | x8 | M12x 3 ³ / ₈ " | 49 |  | x8 | M12 |
| 48 |  | x8 | Φ1" | 55 |  | x8 | Φ1 ¹ / ₂ " |

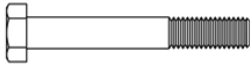

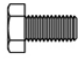


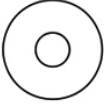



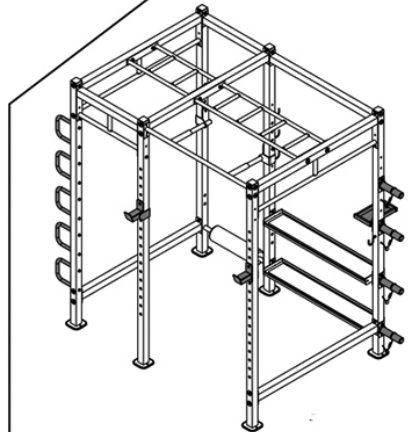
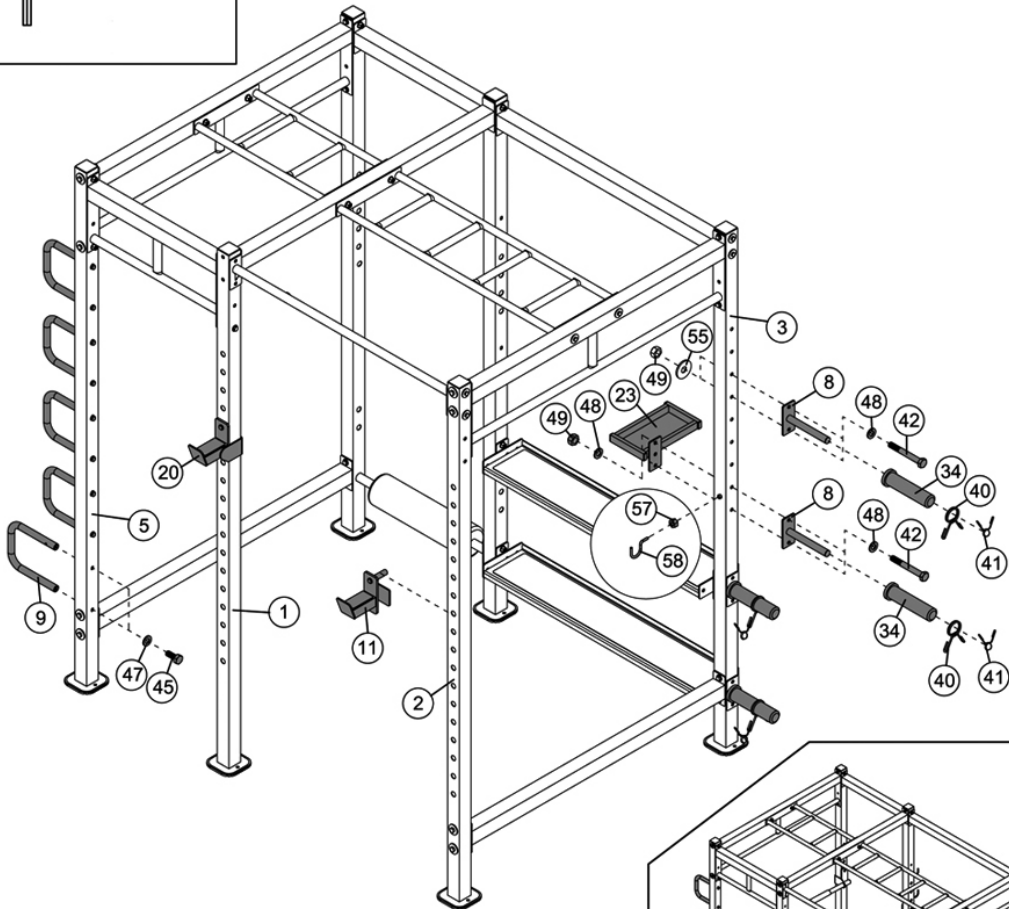
5

42		x10	M12x 3 ³ / ₈ "	49		x10	M12
48		x14	Φ1"	55		x6	Φ1 ¹ / ₂ "



6

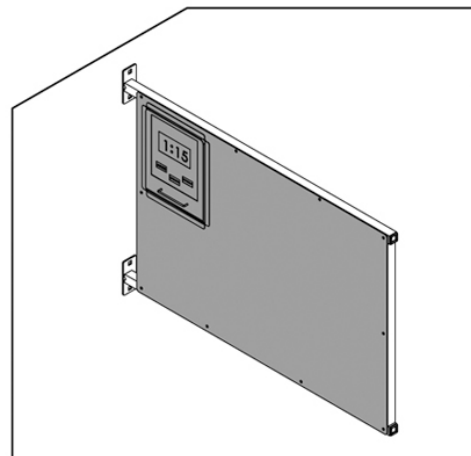
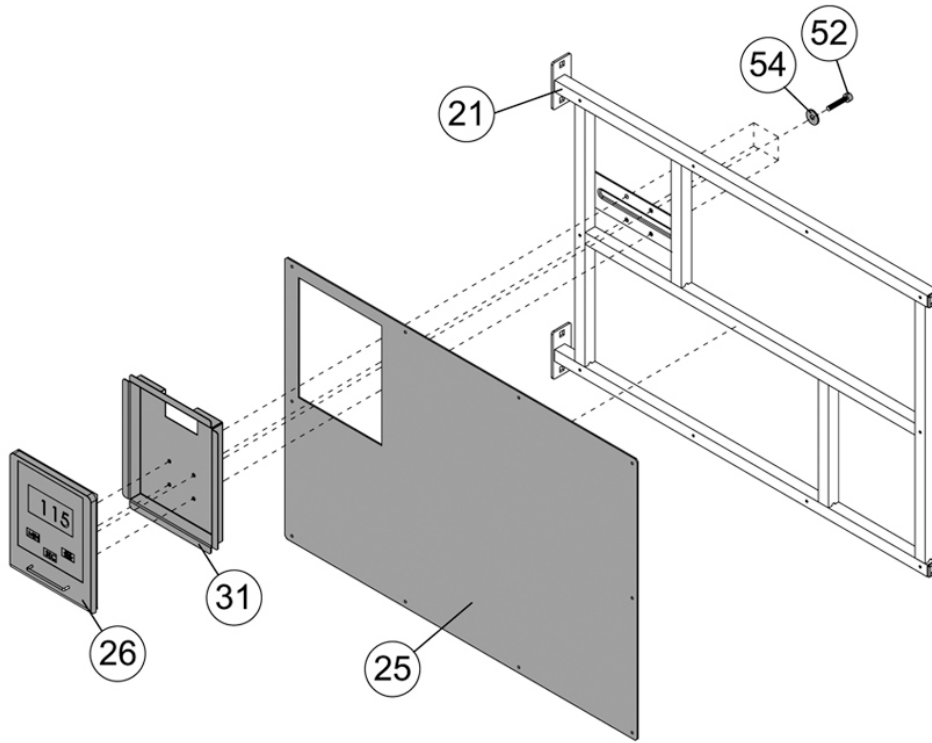
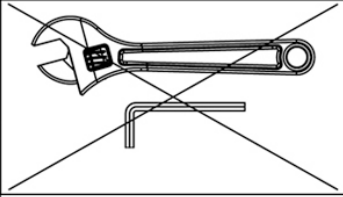
42		x4	M12x 3 3/8"	49		x4	M12
45		x10	M10x 3/4"	47		x10	Φ3/4"
48		x6	Φ1"	55		x2	Φ1 1/2"
57		x1	M8				








7

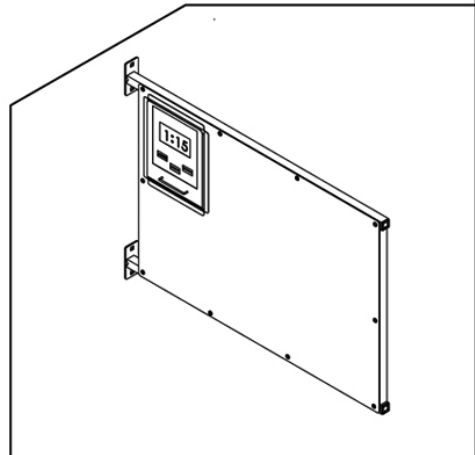
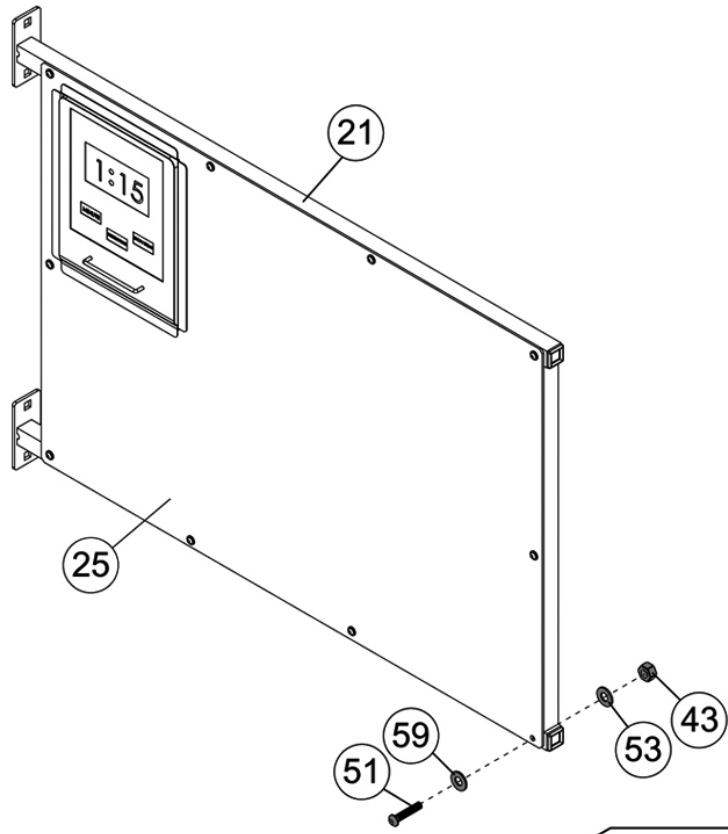
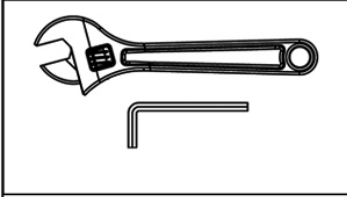
52  × 4 M5×1"

54  × 4 $\Phi 5/8$ "

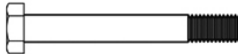






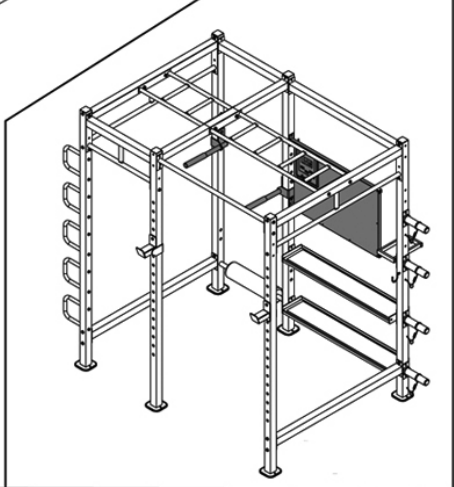
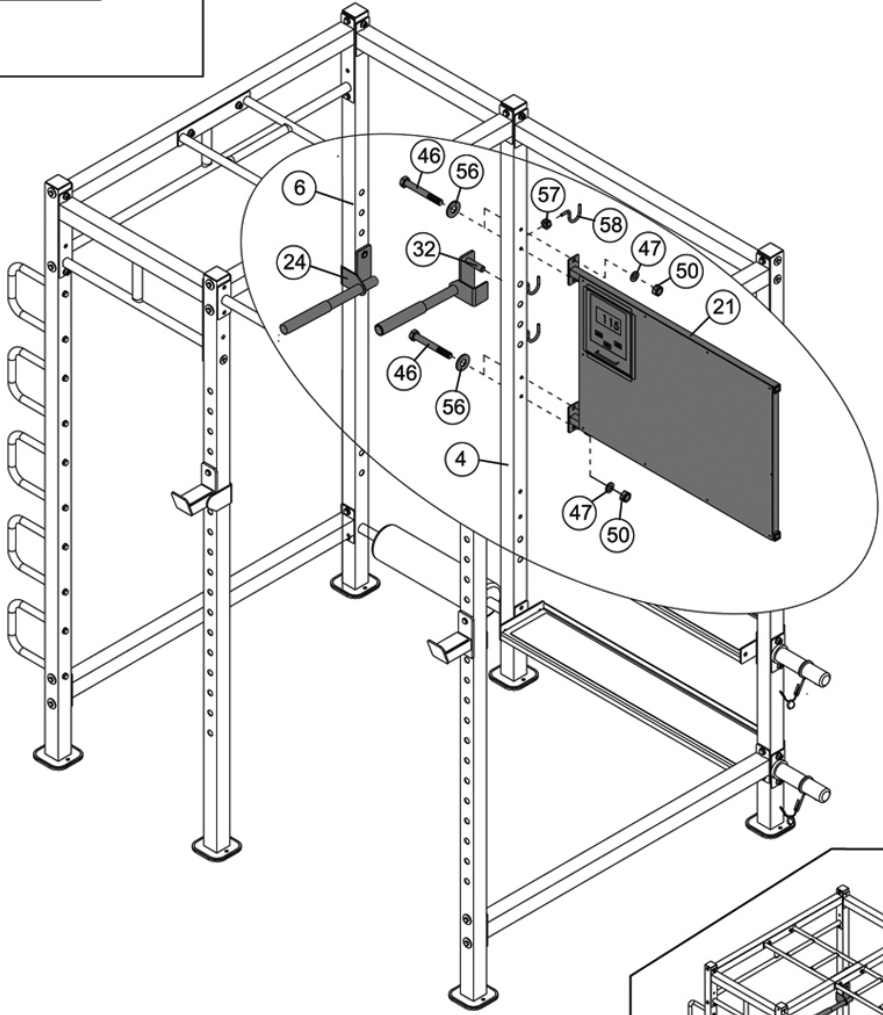
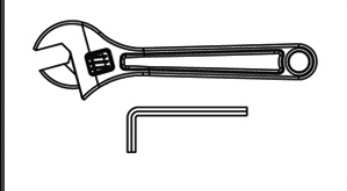
8

51		x 10	M6x1 5/8"	43	 	x 10	M6
53		x 10	Φ1/2"	59		x 10	Φ5/8" x Φ1/4"

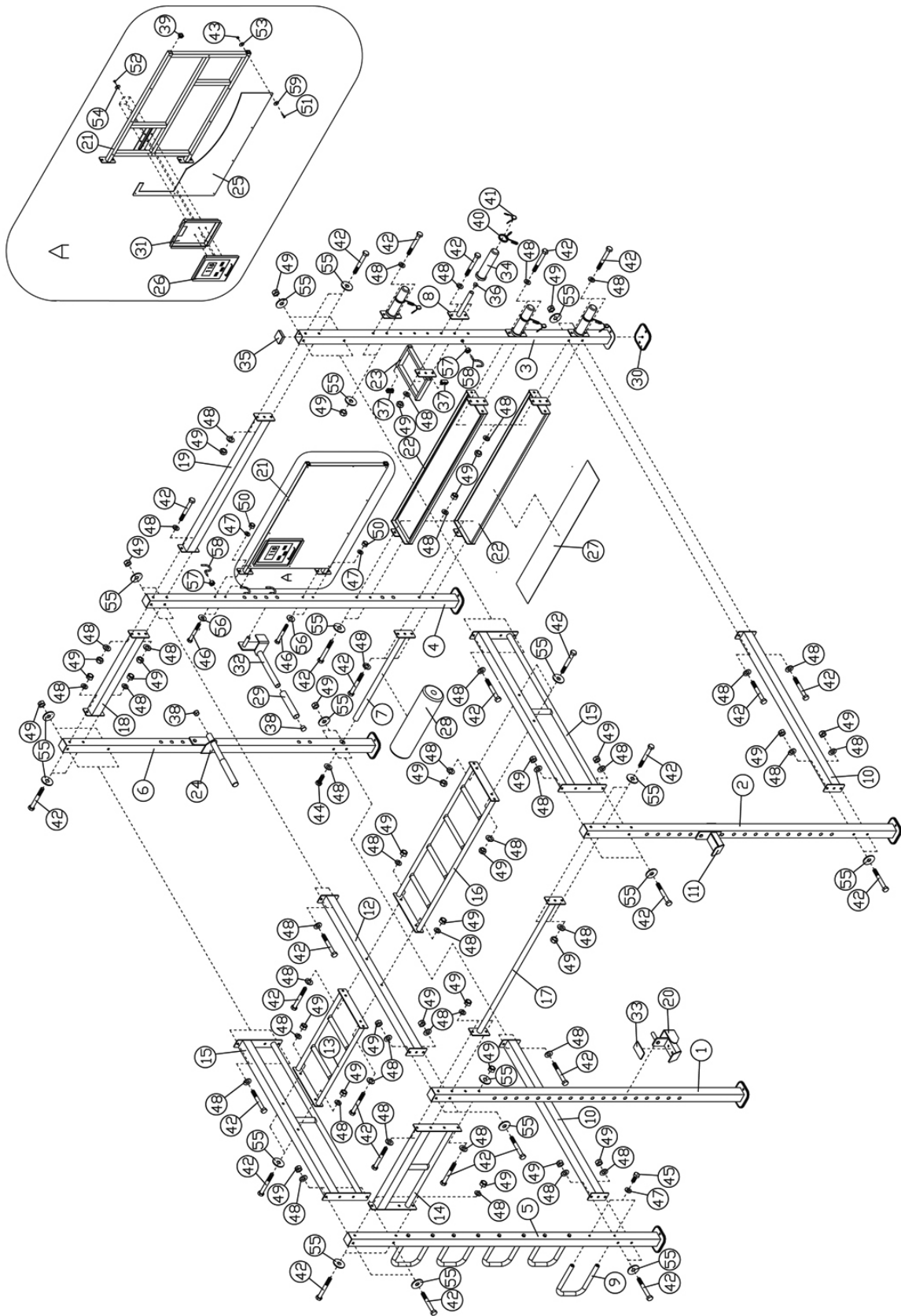


9

- | | | | | | | | |
|------|---|----|-------------|------|---|----|-------------------|
| (46) |  | x4 | M10x 3 1/8" | (50) |  | x4 | M10 |
| (47) |  | x4 | Φ 3/4" | (56) |  | x4 | Φ 3/8" x Φ 1 1/8" |
| (57) |  | x3 | M8 | | | | |



10



IMPEX® INC.

2801 S. Towne Ave, Pomona, CA 91766

Tel: (800) 999-8899 Fax: (626) 961-9966

www.impex-fitness.com

info@impex-fitness.com